

**nexTER**  
ROBOTICS

EQUIPMENT

# NERVA<sup>®</sup> XX

MULTI-PURPOSE ROBOT FOR RECONNAISSANCE  
AND SUPPORT TO OPERATIONS



CREATING REFERENCES IN DEFENSE

**nexTER** **K+N**  
A COMPANY OF **D+S**

# NERVA<sup>®</sup> XX

**MULTI-PURPOSE MEDIUM SIZE ROBOT FOR RECONNAISSANCE  
AND SUPPORT TO OPERATIONS**

EQUIPMENT

## NERVA<sup>®</sup> XX

### KIT CONTENT

- |                                |                       |
|--------------------------------|-----------------------|
| 1x NERVA <sup>®</sup> XX Robot | 1x Controller charger |
| 1x Handheld controller         | 1x Antenna kit        |
| 2x Robot batteries             | 1x User Manual        |
| 1x Robot charger               | 1x Rugged case        |
| 1x Controller battery          |                       |

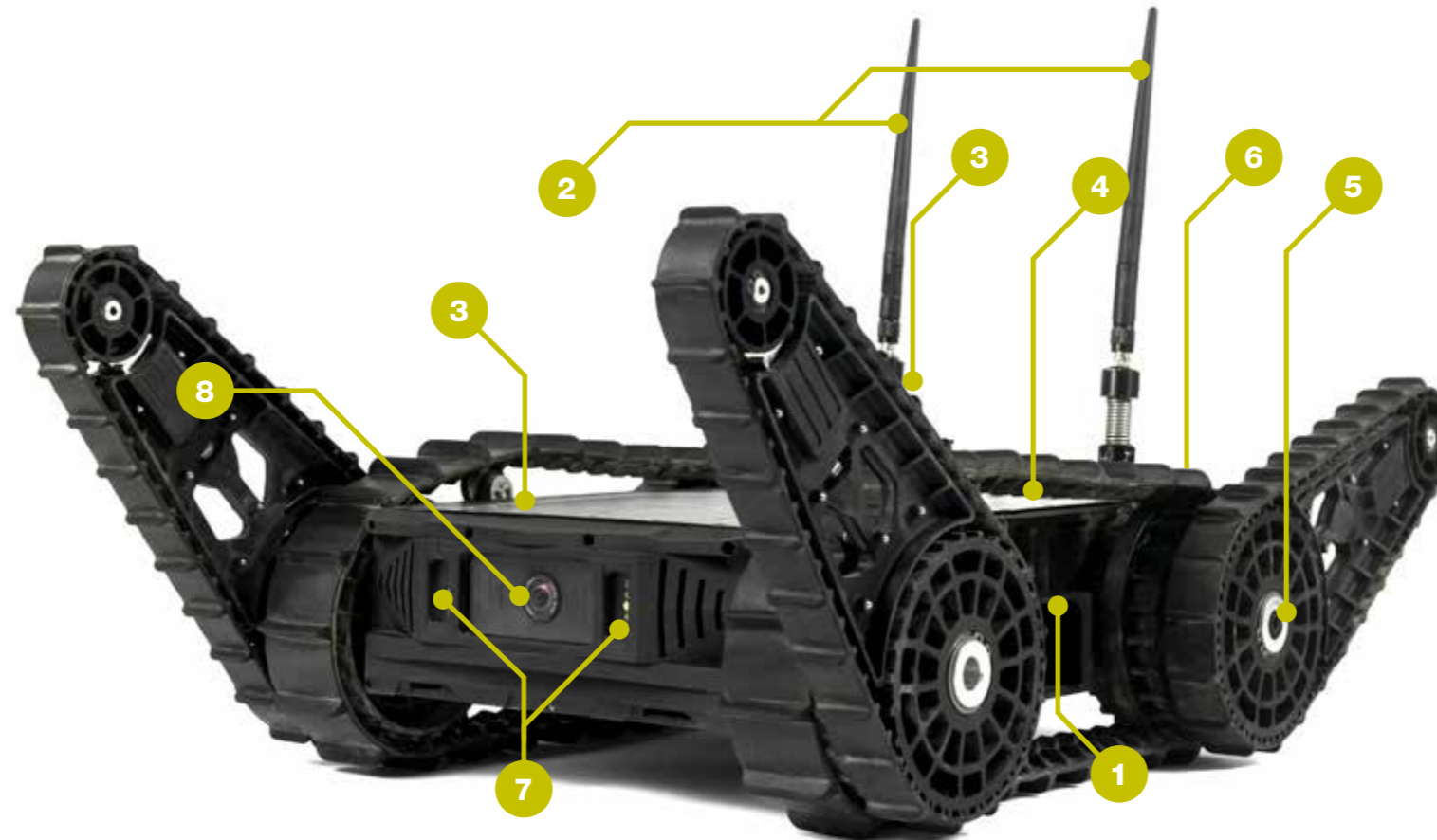


### OPERATIONAL PERFORMANCES

- Endurance: between 2h30 to 4h (depend of the mission)
- Stand-by endurance: 15h (surveillance area without movement)
- Speed: up to 5 km/h
- Weight (with arm & small OCU): < 20 kg
- Obstacle clearance: 20 cm
- Slope: 45°
- Temperature range: -20 °C to + 55 °C
- Digital radio range: up to 500 m
- Lifting capability: up to 4.5 kg
- Towing capability: 20 kg

### CHASSIS

- Rugged
- Waterproof: IP65
- Weight: 12.2 Kg with two batteries
- 2 motorized flippers
- Payload capacity: 15 kg
- Inclinometers & GPS
- Size (cm, with track kit long): 47 (L) x 42 (W) x 18 (H without antenna)
- Microphone & loudspeaker (5 m range)
- Up to 3-mission-module capability, fully compatible to NERVA<sup>®</sup> LGs payloads
- Front camera:
  - Color/IR & light white + IR
  - H-FOV: 110° and V-FOV: 60°
- Rear camera:
  - Color/IR & light white + IR
  - H-FOV: 100° and V-FOV: 75°
- 2 battery slots (Hot swap)
- Up to 3 PICATINY rails



### DESCRIPTION & FEATURES

**1 1-CLICK BATTERY:** Changing the battery can be done easily in 1-click, no tool required.

**2 LONG RANGE COFDM & MESH CAPABILITY:** More than 1000 m in Line Of Sight (LOS), more than 500 m in dense forests, more than several 100 m in urban areas.

**3 1-CLICK MODULES:** Mechanical and electrical interfaces to operate a large panel of additional standards or dedicated payloads. No tool required, compatible with NERVA<sup>®</sup> LG.

**4 SEMI-AUTONOMOUS:** Semi-autonomous capabilities: waypoints navigation.

**5 1-CLICK TRACKS:** You can easily add the front and/or rear flippers according to your needs, no tool required.

**6 REAR CAMERA:** 320x240 pixels area, H-FOV: 100° and V-FOV: 75°

**7 WHITE & IR LIGHTS:** Integrated high power-days and IR lights.

**8 FRONT HD CAMERA:** 1280x720 pixels area, H-FOV: 110° and V-FOV: 60°, virtual Pan&Tilt with no moving part, day light and IR sensibility.

### MISSION MODULE MANIPULATOR ARM



- Removable arm (hot swap)
- 4 electrical axis + 1 O/C gripper
- Automatically vertical and horizontal reach position: up to 91 cm
- Gripper aperture: 0 to 120 mm
- 1 safe shooting circuit
- Anti-collision safety
- 3 camera with lighting
- Gripper/turret/disrupter camera
- 2 PICATINY rails for payload

# NERVA® XX | MODULARITY FOR MULTI MISSION REQUIREMENT

Whether you need Observation & Detection, Localization & Mapping, Action & Intervention capabilities, NERVA® XX can help you complete your mission with the highest flexibility. Swap your NERVA® payload in five seconds, the NERVA® XX will automatically detect it and interface with it properly. It remains fully compatible with NERVA® LG.



Thermal imaging



3D-mapping



PTZ camera



Disruptor mount



Dropping charge



Chemical mount



2D-mapping



Vehicle inspection



Gunshot detection



Manipulator arm



Generic support



Two-way intercom



External battery



Non lethal weapon



We adapt your equipment

Your Agent